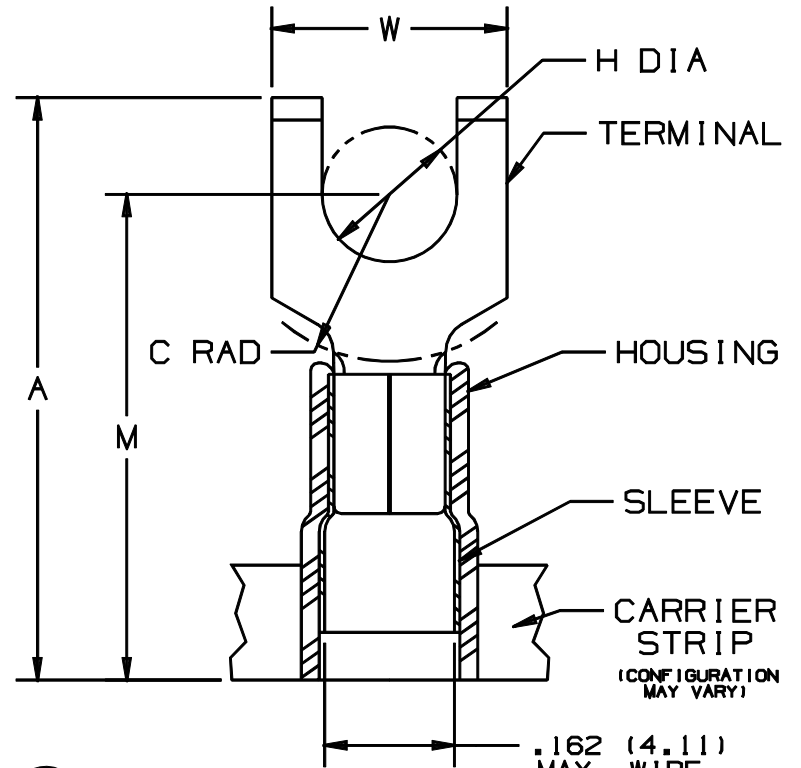


THIS COPY IS PROVIDED ON A RESTRICTED BASIS AND IS NOT TO BE USED IN ANY WAY DETRIMENTAL TO THE INTERESTS OF PANDUIT CORP.

| PANDUIT PART NUMBER | STUD SIZE | DIMENSIONS in. | | | | |
|---------------------|-----------|----------------|---------------|---------------|----------------|---------------|
| | | A $\pm .030$ | W $\pm .010$ | C $\pm .020$ | M $\pm .030$ | H $\pm .010$ |
| PN14-6FF-3K | #6 | .80 (20.32) | .28 (7.11) | .19 (4.83) | .64 (16.26) | .15 (3.81) |
| PN14-8FF-3K | #8 | .87 (22.09) | .31 (7.87) | .23 (5.84) | .68 (17.27) | .17 (4.32) |
| PN14-10FF-3K | #10 | .87 (22.09) | .35 (8.89) | .23 (5.84) | .68 (17.27) | .20 (5.08) |

NOTES :

- UL LISTED AND CSA CERTIFIED FOR :
 - 600 V MAX. VOLTAGE RATING
 - 221°F (105°C) MAX. TEMP. RATING
 - #16-14 AWG (1.3-2.0 mm²) SOLID OR STRANDED, COPPER WIRE
- PACKAGE QTY. : 3K = 3000 PCS.
CONTINUOUS MOLDED CARRIER STRIP
- MATERIAL :
 - STAMPING - .03" THK COPPER, TIN PLATED
 - HOUSING - BLUE NYLON
 - SLEEVE - BRASS, TIN PLATED
- DIMENSIONS IN BRACKETS ARE IN MILLIMETERS
- INSTALLATION TOOLS :
 - PRESSES - CP-851, CP-860, CP-861
 - APPLICATOR - CA-800
 - DIE INSERTS - CD-800-2
- WIRE STRIP LENGTH: $7/32^{+1/32}_{-0}$ (5.6⁺⁸₋₀)

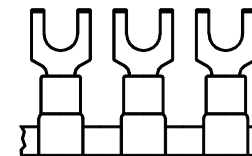


LISTED
587H
E52164



CERTIFIED
LR31212

.162 (4.11)
MAX. WIRE
INSUL DIA.
.080 (2.03)
MIN. WIRE
INSUL DIA.



A41092_05

| 05 | 12/00 | ED | | FILESPEC WAS: N41092AA_PCD_04 | 08925 | | |
|-----|-------|-----|-----|--|-------|-----|------|
| 04 | 11/96 | JB | | ADDED DIM ".080(2.03)MIN WIRE DIA. | 05421 | | |
| 03 | 09/96 | TSM | RLS | REVISE DIMS AND TOLERANCES | 05068 | DRH | |
| -- | ---- | -- | -- | ADDED NOTE #6 | ---- | -- | -- |
| 02 | 12/92 | DL | DL | PN14-8FF-3K: A WAS .89 (22.61), | 01299 | KS | LA |
| -- | ---- | -- | -- | PN14-10FF-3K: A WAS .89 (22.61), | ---- | -- | -- |
| -- | ---- | -- | -- | W WAS .38 (9.65), FILESPEC WAS A41092A | ---- | -- | -- |
| REV | DATE | BY | CHK | DESCRIPTION | ECN | PM | CUST |

PANDUIT

CORP.

TINLEY PARK, ILLINOIS

TERMO 3PC. CONTINUOUSLY MOLDED NYLON INSULATED, #16-14 BARREL, FLANGED FORKS

DRAWN BY FES CHK'D FS SCALE NONE DRAWING NO A41092